

DİŞLİ POMPALAR

GEAR PUMPS

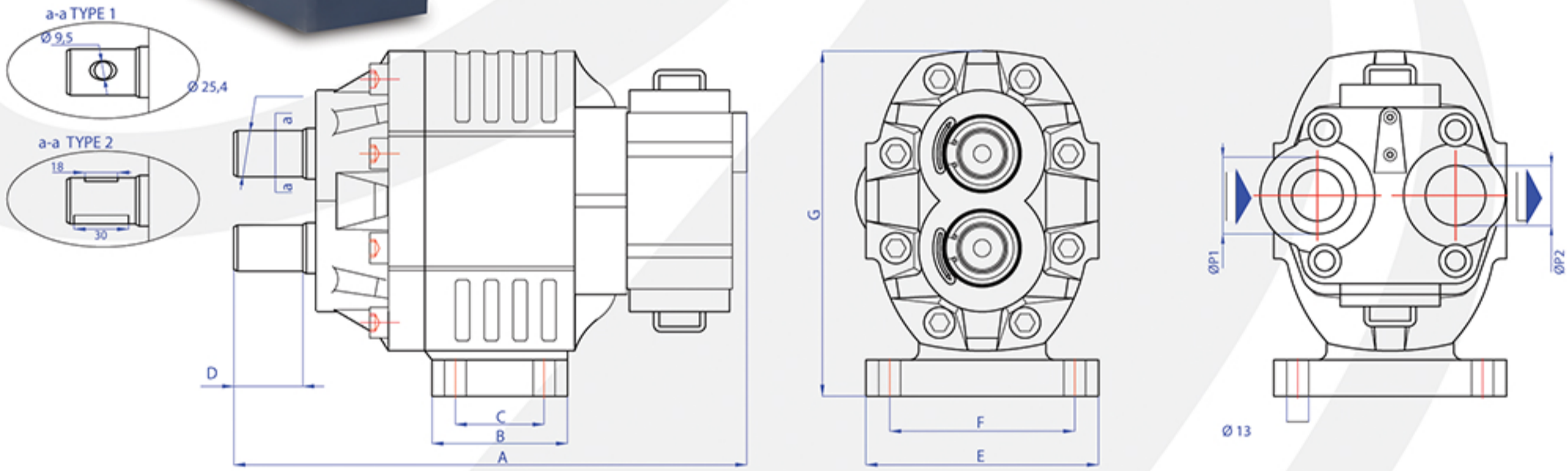
POMPES A ENGRENAGE

PNÖMATİK VANALI ŞAFT BAĞLANTILI DİŞLİ POMPA
PNEUMATIC VALVE SHAFT CONNECTION GEAR PUMP
POMPE A ENGRENAGE A VALVE PNEUMATIQUE TYPE DE CONNECTION PAR TRANSMISSION

Z-WP-5061



Uygun Vizkozite Aralığı Optimum Viscosity Field Viscosité Optimum Convenable	cST15 cST35
Çalışma Sıcaklığı Working Temperature Température d'Opération	-10 °C +80 °C
Dönüş Yönü Direction Of Rotation Direction De Rotation	Sağ ve Sol Right & Left Droite & Gauche



TEKNİK VERİLER - TECHNICAL DATAS - DONNES TECHNIQUE

Tip - Kod Type - Code	Debi Verim Deby / Débit 1000 d.dk / Rpm Tr / Min	Çalışma Basıncı Working Pressure Pression de Travail	Test Basıncı Test Pressure Pression d'Essais	Çalışma Devri Revolution Working Puissance de Travail D./Dak R./M. - Tr/Min.	Maksimum Devir Maximum Revolution Puissance Maximum D./Dak R./M. - Tr/Min.	Ağırlık Weight Poid
Z-WP-5043	43	270 Bar (Max)	295 Bar (Max)	1500	2000	13.20 Kg
Z-WP-5051	51	230 Bar (Max)	255 Bar (Max)	1500	2000	14.40 Kg
Z-WP-5061	61	210 Bar (Max)	230 Bar (Max)	1500	2000	18.20 Kg
Z-WP-5080	80	200 Bar (Max)	220 Bar (Max)	1500	2000	20.20 Kg
Z-WP-5110	110	190 Bar (Max)	210 Bar (Max)	1500	2000	21.20 Kg

Tip / Type	A (mm)	B (mm)	C (mm)	D (mm)	E (mm)	F (mm)	G (mm)	Φ P1 Giriş Inlet / Aspiration	Φ P2 Çıkış Outlet / Sortie
Z-WP-5043	222	50	-	37	126	100	160	G 1"	G 1"
Z-WP-5051	226	50	-	37	126	100	160	G1"	G 1"
Z-WP-5061	257	55	-	37	130	100	190	G1 1/4"	G 1"
Z-WP-5080	266	63	40	37	130	100	190	G1 1/4"	G 1"
Z-WP-5110	278	75	45	37	130	100	190	G1 1/4"	G 1"